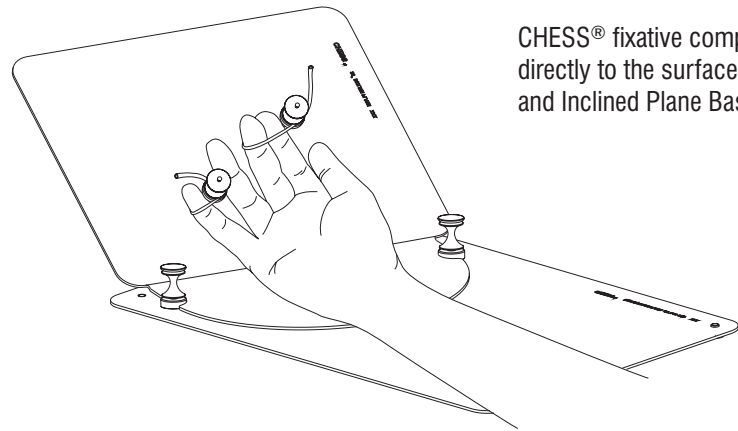


Affixing the Patient's Hand



CHESSE® fixative components attach directly to the surface of the Inclined Plane and Inclined Plane Base.

Cleaning and Sterilization

NOTE: All reusable components of the CHESSE® Surgery System are supplied non-sterile.

Sterilization:

The following sterilization procedure should be followed prior to use:

Process: Prevacuum Steam Autoclave
Temperature: 270°F (132°C)
Time: 4 minutes

Cleaning:

Disassemble the Inclined Plane from the Base prior to cleaning.

After use, all components of the CHESSE® system should be cleaned manually with soap and water or by ultrasonic methods.



EC REP

CEpartner4U
3951DB; 13. NL.
Tel: +31(0)6.516.536.26

Phone: 1-613-256-0350
Fax: 1-613-256-0360
Toll Free: 1-800-705-8312
Email: sales@canica.com
Web: www.canica.com

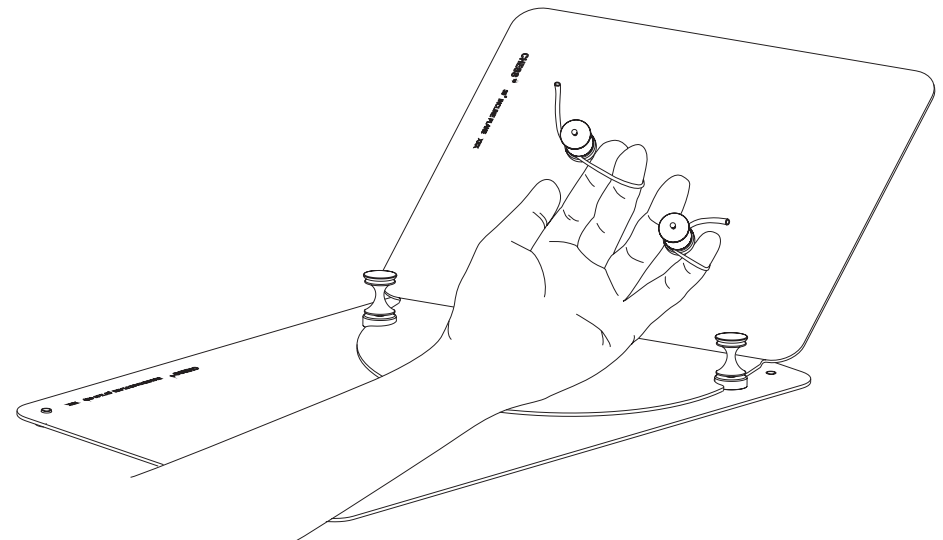
CANICA®

Canica Design Inc.
Head Office
36 Mill Street, Almonte, ON Canada K0A 1A0
U.S. Distribution Center
814 Proctor Ave, Ogdensburg, NY USA 13669-2205

CANICA®

CHESSE® Surgery System Inclined Base Plate Set

Instructions for Use



CHESSE® Inclined Base Plate Set in use
(shown with other CHESSE® System components)

The CHESSE® Inclined Base Plate Set is an accessory component to the CHESSE® Surgery System. It extends the range of procedures possible with the system by allowing flexion and elevation of the digits or wrist.

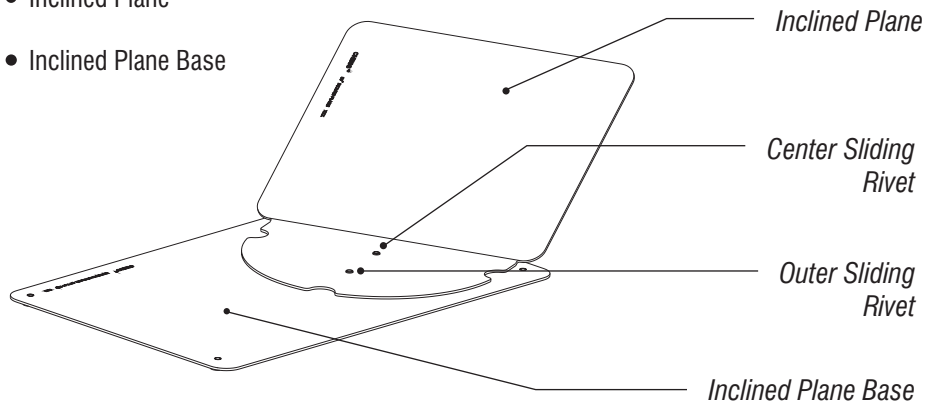
INDICATIONS FOR USE:

The CHESSE® Surgery System is a system of complementary devices that allows a trained surgeon to retract, stabilize, and approximate tissue and surgical apparatus during a surgical procedure.

Components of Set

Set contains:

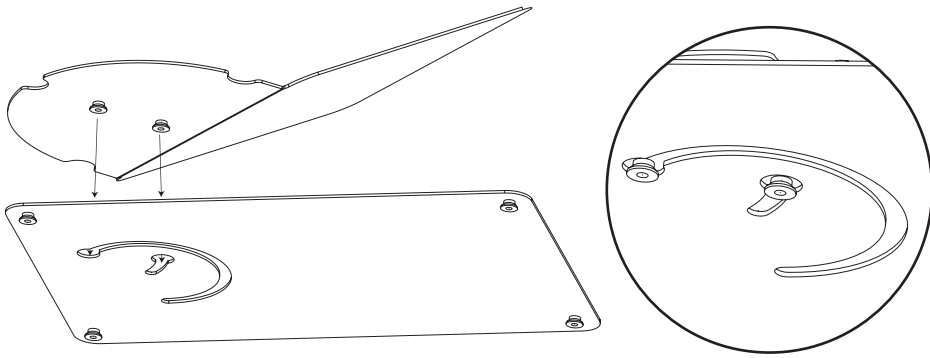
- Inclined Plane
- Inclined Plane Base



Instructions for Use

Step 1 - Assembling the Two Components

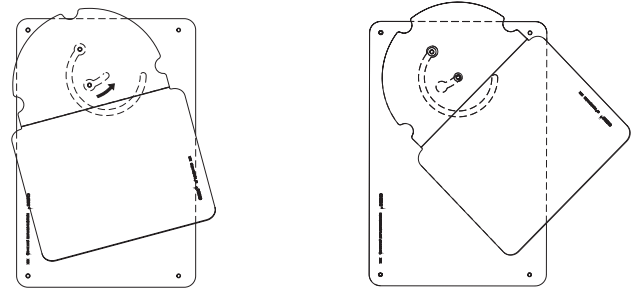
Align the sliding rivets of the Inclined Plane with the holes in the Inclined Plane Base. The Inclined Plane and Base interlock with a pair of rivets that fit into keyed slots.



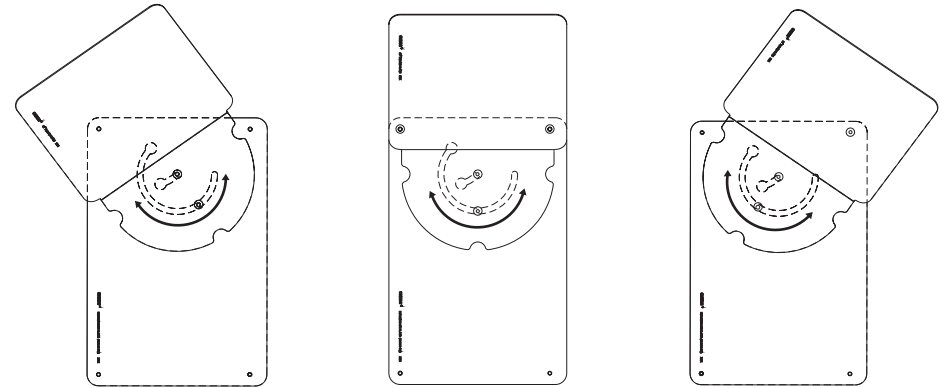
2

Instructions for Use

Slide the center sliding rivet upward (counter-clockwise rotation) to the locked pivot position.

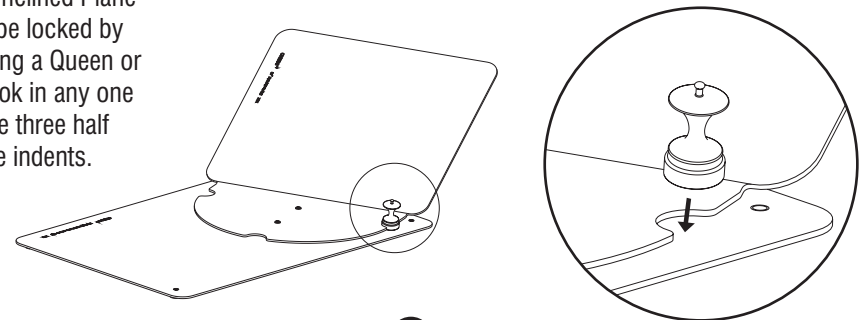


Step 2 - Rotating the Inclined Plane



Step 3 - Locking the Inclined Plane

The Inclined Plane can be locked by placing a Queen or a Rook in any one of the three half circle indents.



3