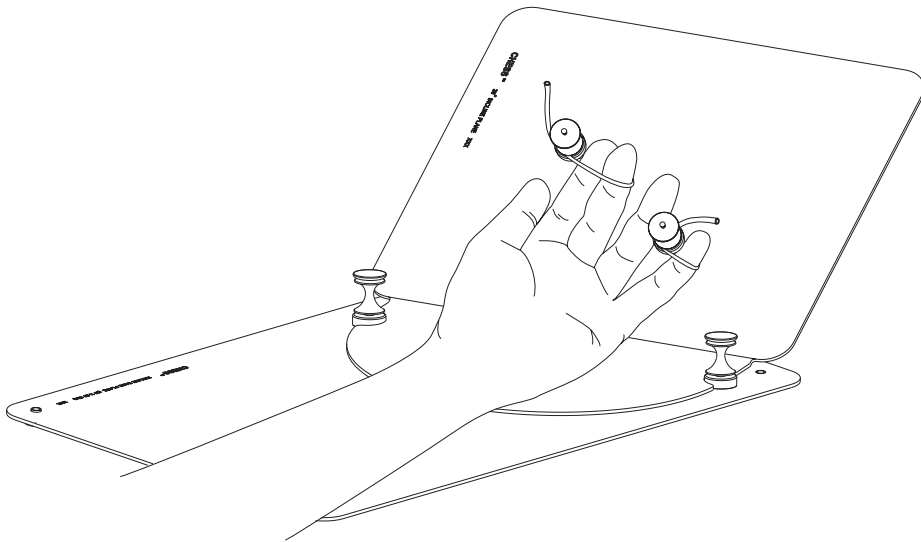


CHES[®] Surgery System Inclined Base Plate Set

Instructions for Use



CHES[®] Inclined Base Plate Set in use
(shown with other CHES[®] System components)

The CHES[®] Inclined Base Plate Set is an accessory component to the CHES[®] Surgery System. It extends the range of procedures possible with the system by allowing flexion and elevation of the digits or wrist.

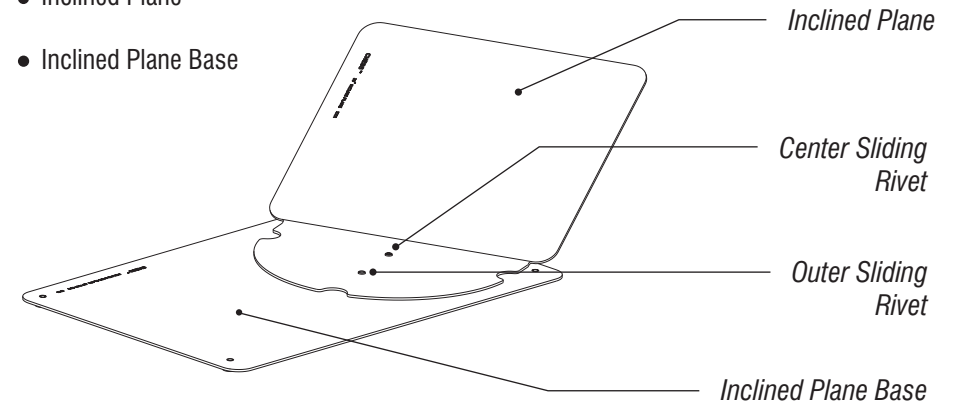
INDICATIONS FOR USE:

The CHES[®] Surgery System is a system of complementary devices that allows a trained surgeon to retract, stabilize, and approximate tissue and surgical apparatus during a surgical procedure.

Components of Set

Set contains:

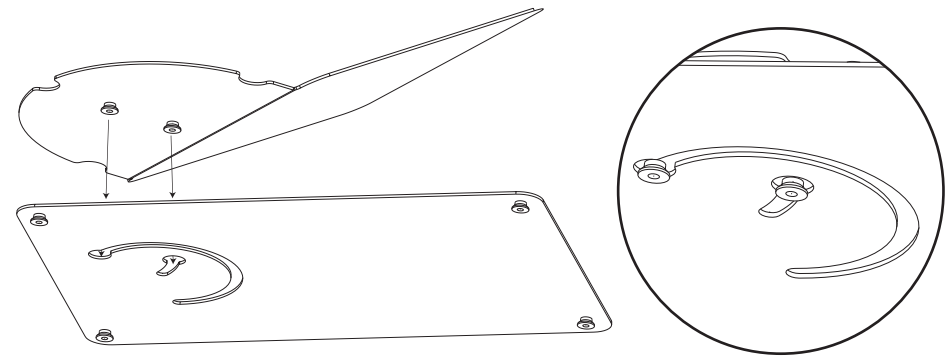
- Inclined Plane
- Inclined Plane Base



Instructions for Use

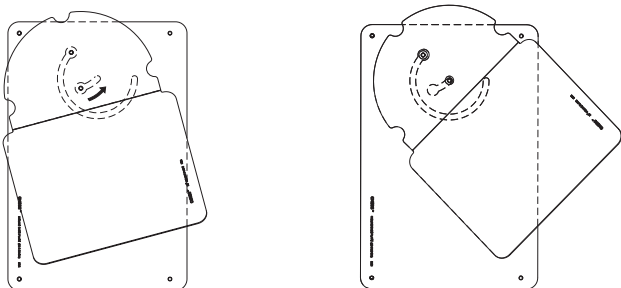
Step 1 - Assembling the Two Components

Align the sliding rivets of the Inclined Plane with the holes in the Inclined Plane Base. The Inclined Plane and Base interlock with a pair of rivets that fit into keyed slots.

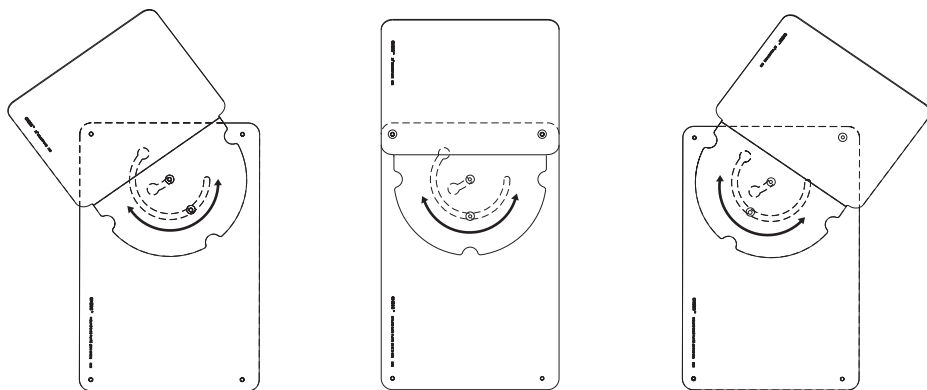


Instructions for Use

Slide the center sliding rivet upward (counter-clockwise rotation) to the locked pivot position.

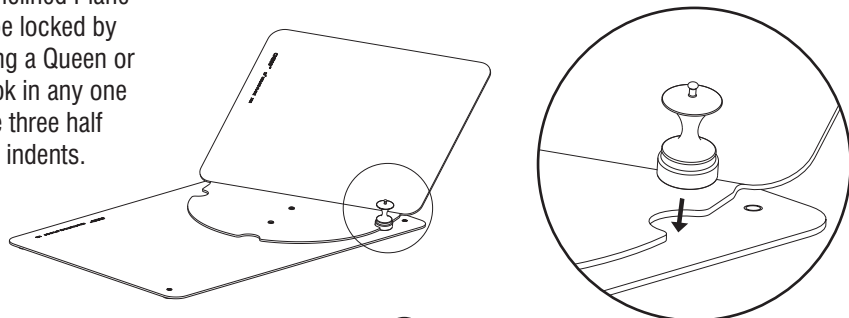


Step 2 - Rotating the Inclined Plane



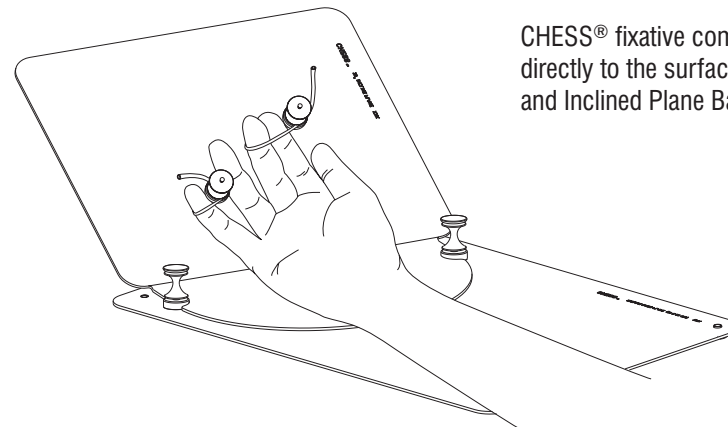
Step 3 - Locking the Inclined Plane

The Inclined Plane can be locked by placing a Queen or a Rook in any one of the three half circle indents.



3

Affixing the Patient's Hand



CHESS® fixative components attach directly to the surface of the Inclined Plane and Inclined Plane Base.

Cleaning and Sterilization

NOTE: All reusable components of the CHESS® Surgery System are supplied non-sterile.

Sterilization:

The following sterilization procedure should be followed prior to use:

Process:	Prevacuum Steam Autoclave
Temperature:	270°F (132°C)
Time:	4 minutes

Cleaning:

Disassemble the Inclined Plane from the Base prior to cleaning.

After use, all components of the CHESS® system should be cleaned manually with soap and water or by ultrasonic methods.

CANICA[®]
—design—

36 Mill St. Almonte, Ontario
K0A 1A0 Canada
1 (800) 705-8312 (613) 256-0350



1D0521 Rev. A
(03-2003)

4