

Handle and Blade Compatibility

Handles

The Canica Standard Scalpel Handle replaces the following handles: No. 3, 5, 7, 9 and B3.

Blades

The Canica Standard Scalpel is compatible with the following blades: 6, 9, 10, 11, 11E, 11E Sabre, 11P, 12, 12D, 14, 15, 15A, 15C, 15T, 15 Sabre, 16, 19, Skin Graft Blade #3, Stitch Cutter #3, No. 40 blade (rare).

Sterilization and Cleaning

NOTE: The Canica Standard Scalpel is supplied in a non-sterile condition.

Cleaning (disassembled):

Clean manually with soap and water, by high pressure wash or by ultrasonic methods.

Sterilization (assembled or disassembled):

The following sterilization procedure should be followed prior to use:

Process: Prevacuum Steam Autoclave
Temperature: 270°F (132°C)
Time: 4 minutes

Ordering and Contact Information

Description	Part Number
Canica Standard Scalpel	CSS00



CEpartner4U
3951DB; 13. NL.
Tel: +31(0)6.516.536.26

CANICA®

Canica Design Inc.
Head Office
36 Mill Street, Almonte, ON Canada K0A 1A0
U.S. Distribution Center
814 Proctor Ave, Ogdensburg, NY USA 13669-2205

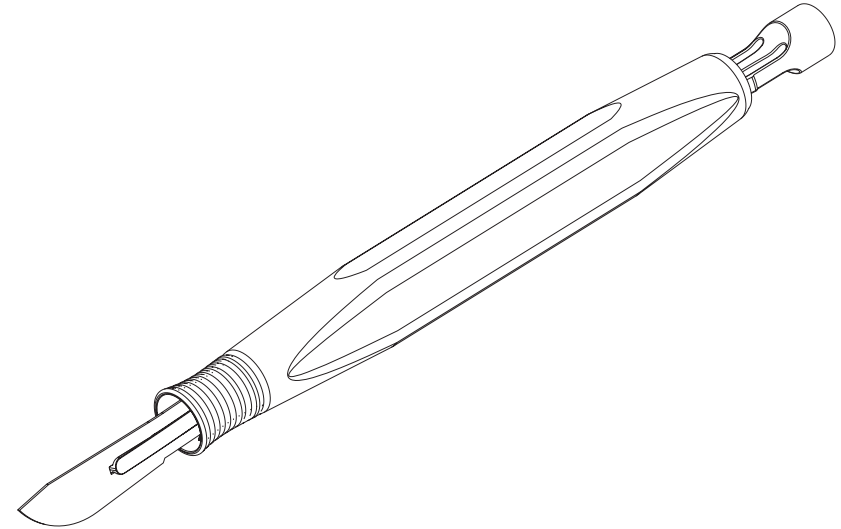
Phone: 1-613-256-0350
Fax: 1-613-256-0360
Email: sales@canica.com
Toll Free: 1-800-705-8312
Web: www.canica.com

1D0188RD Last revised March 19, 2010

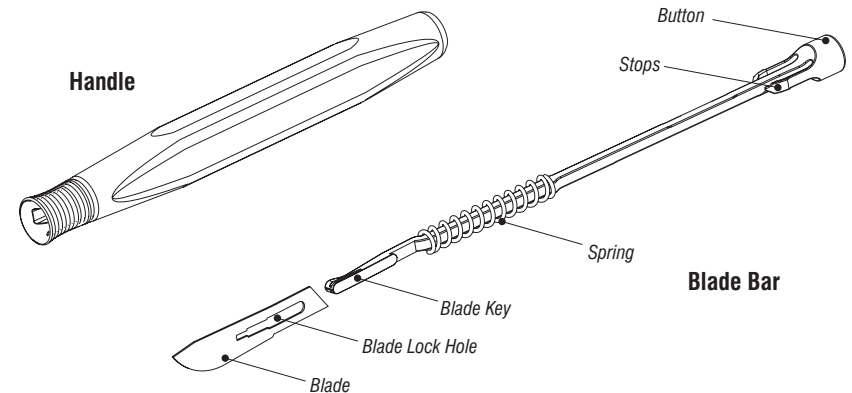
CANICA®

Standard Scalpel

Instructions for Use



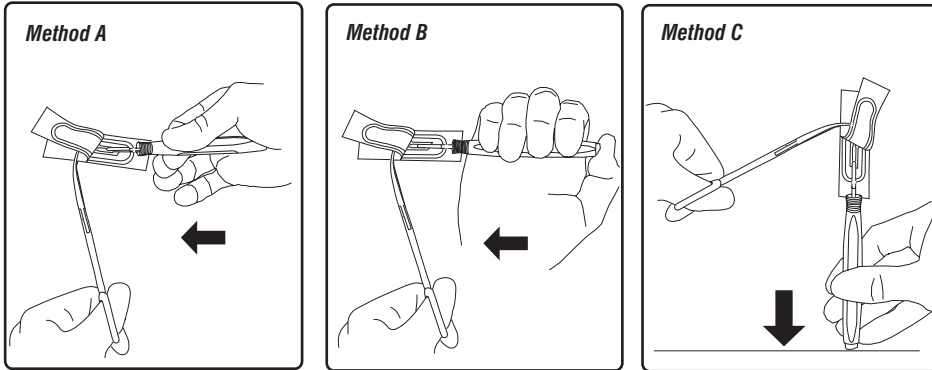
Anatomy of the Scalpel



Instructions for Use

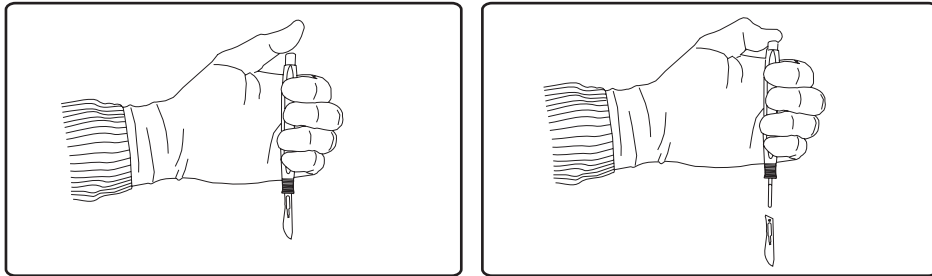
Installing the Scalpel Blade

- Press button to expose blade key. (*Method A, B or C*)
- Insert blade key into blade lock hole.
- Release button to secure blade.



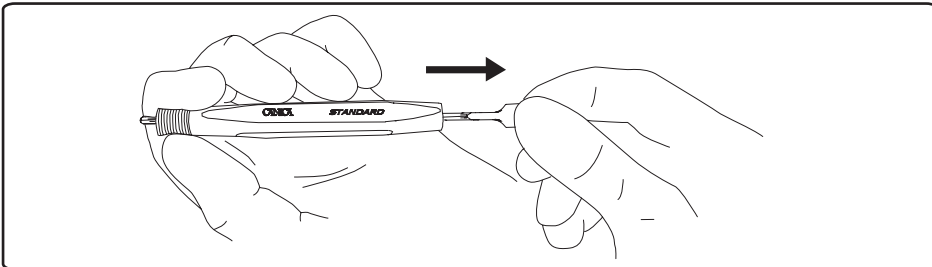
Ejecting the Scalpel Blade

- Hold scalpel above a disposal container.
- Press button to release blade.



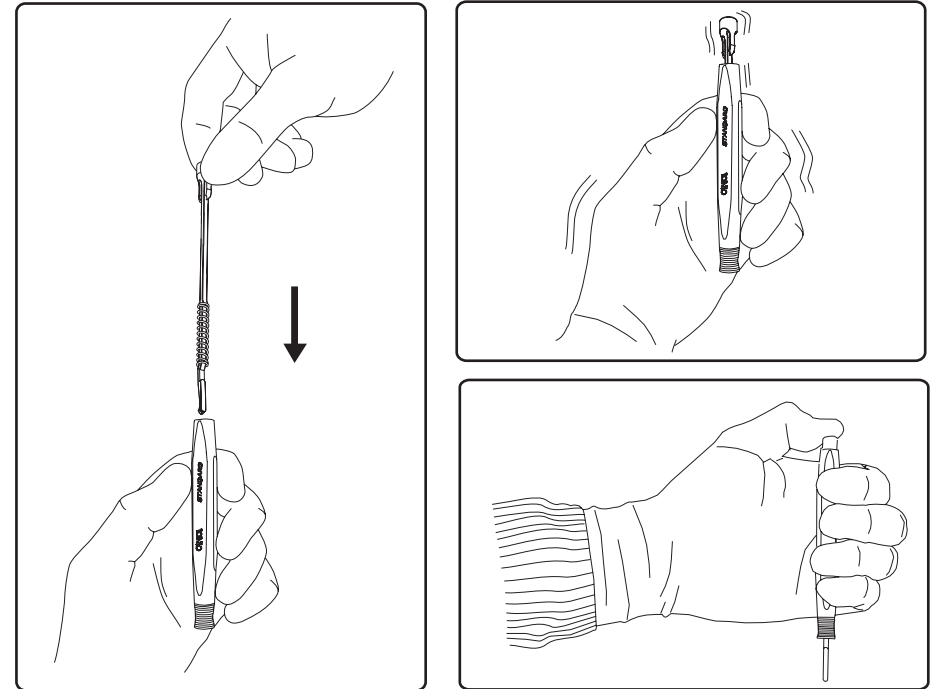
Disassembling the Scalpel

With blade removed, pull on button to remove blade bar.



Assembling the Scalpel

- Drop blade bar into the handle.
- Shake handle gently to orient blade bar in the exit hole.
- Press the button to lock the blade bar into place.



Removing an Adhered Blade

Dried contaminants may prevent a blade from releasing.

- Press button. Insert any metal object between blade and handle.
- Release button over disposal container.

